

MATERIALS AND FINISHES

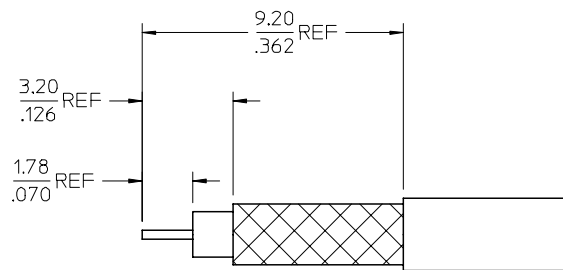
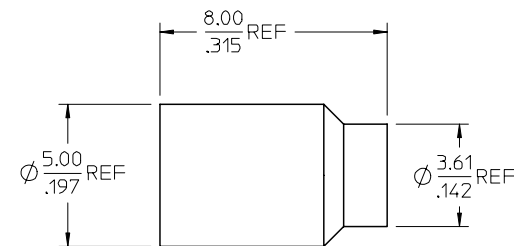
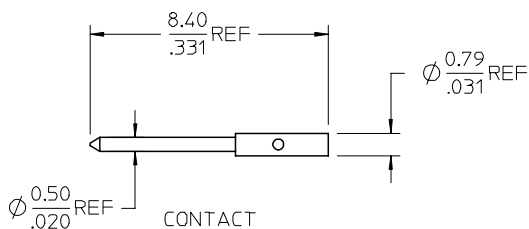
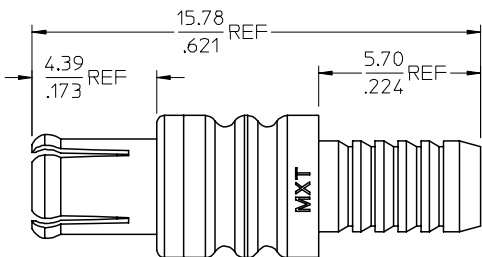
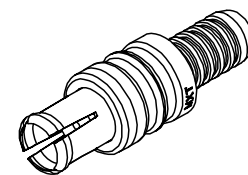
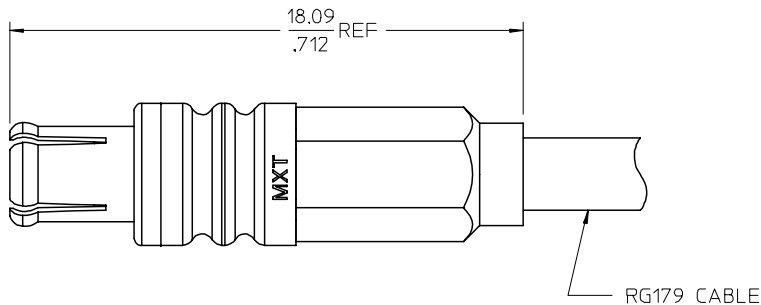
BODY ZINC ALLOY
PLATED GOLD

CENTER CONTACT BRASS
PLATED GOLD

INSULATOR TEFLON

OUTER CONTACT BERYLLIUM COPPER
PLATED GOLD

CRIMP TUBE BRASS
PLATED GOLD



PART # 73415-4490

AS-73392-0060	CABLE ASSEMBLY INSTR.
SPECIFICATION	DESCRIPTION

CHG: UPDATED REDREW TO SHOW REVISED CRIMP TUBE A2	FC NO: URF2006-0462 DRAWN: IFLAHERY 2006/04/18 CHKD: SHAH 2006/04/18 APPR: JIMENER 2006/04/18	QUALITY SYMBOLS ▽=0 ▽=0	GENERAL TOLERANCES (UNLESS SPECIFIED)		DIMENSION STYLE MM/IN		SCALE	DESIGN UNITS METRIC	THIRD ANGLE PROJECTION
			4 PLACES ± .0005 ± .0005 3 PLACES ± .0005 ± .0005 2 PLACES ± .0005 ± .0005 1 PLACE ± .0005 ± .0005	mm INCH DRAWN BY TEF DATE 2003/08/11 CHECKED BY SSS DATE 2003/08/11 APPROVED BY GMH DATE 2003/08/11	TITLE				
DRAFT WHERE APPLICABLE MUST REMAIN WITHIN DIMENSIONS			MATERIAL NO. 734154490		DOCUMENT NO. SD-73415-449		SHEET NO. 1 OF 1		

MCX, PLUG STR FOR RG179
75 OHMS, EWR-2114
MCX-PC

molex MOLEX INCORPORATED

THIS DRAWING CONTAINS INFORMATION THAT IS PROPRIETARY TO MOLEX INCORPORATED AND SHOULD NOT BE USED WITHOUT WRITTEN PERMISSION